

## THE SPECIFICATION OF AlGaAs IR LED CHIP "PR5J"

### 1. DESCRIPTION

This is a AlGaAs red LED chip. It is N-side up.

### 2. ELECTRO - OPTICAL CHARACTERISTICS (Ta=25deg. C)

CONDITION	MIN.	TYP.	MAX.	UNIT
Forward Voltage (V <sub>F</sub> ) IF=20mA		1.8		V
Reverse Voltage (V <sub>R</sub> ) IR=10uA	5			V
Radiated Power <sup>1)</sup> (P <sub>o</sub> ) IF=20mA		2.5		mW
Peak Wavelength (λ <sub>p</sub> ) IF=20mA		675		nm

1) LED chip is mounted on TO-18 gold header without resin coated.

### 3. ABSOLUTE MAXIMUM RATINGS

Continuous Maximum Forward Current	: 50 mA(DC)
Reverse Voltage	: 5 V(IR=10uA)
Storage Temperature	
while on mylar membrane	: 0 to 40 deg. C
after removal from mylar membrane	: -30 to 100 def. C

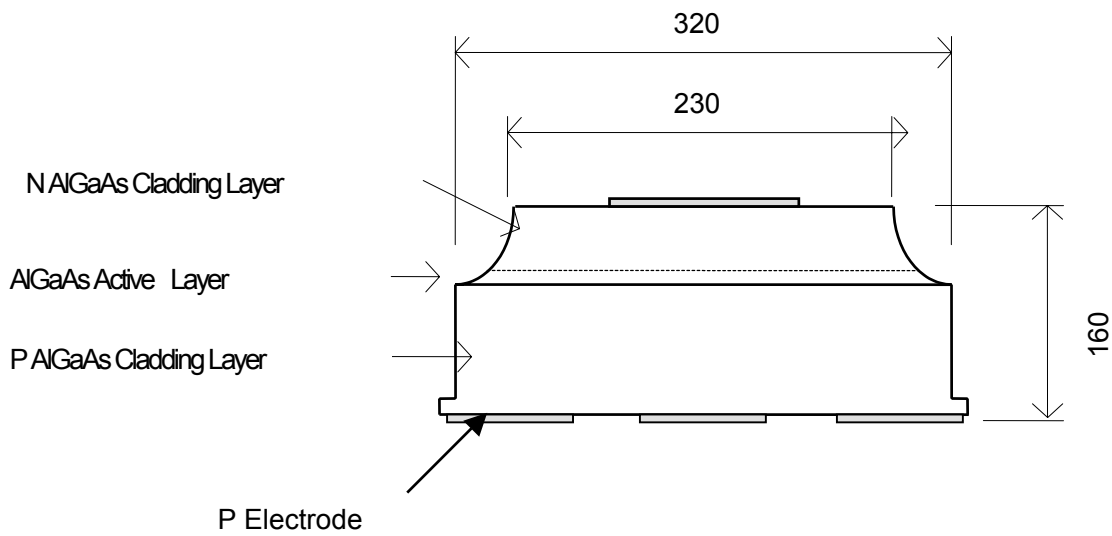
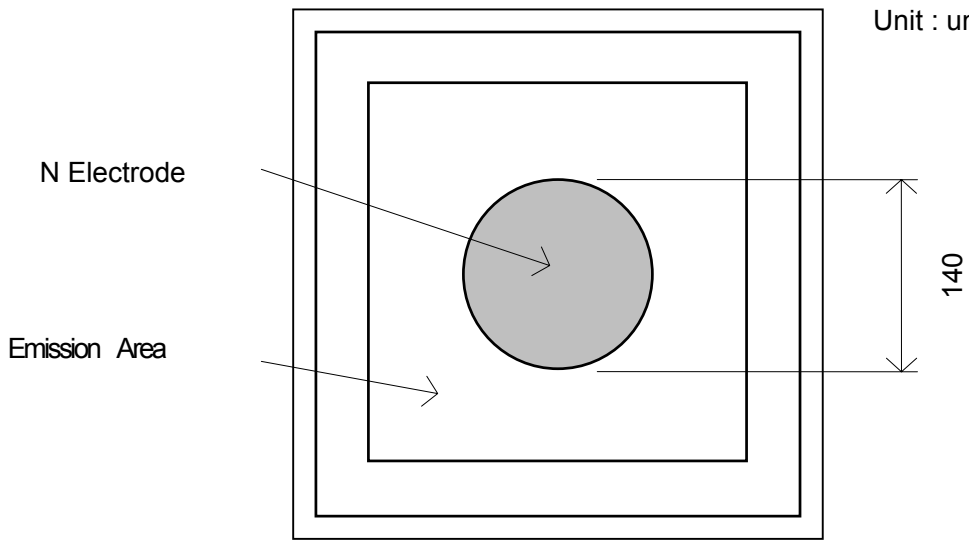
### 4. PHYSICAL CHARACTERISTICS AND STRUCTURE

1)Material	: AlGaAs
2)Structure	: Double Hetero Structure
3)Junction Size	: 0.320mmX0.320mm
4)Thickness	: 0.160mm
5)Bond Pad Size	: 0.140mm diameter
6)Anode Metallization	: Gold Alloy
7)Cathode Metallization	: Gold Alloy

Physical Dimensions

Model PR5J

Unit :  $\mu\text{m}$



Remark: This specification is for reference purpose only, and subject to change without prior notice.  
Approved specification shall be obtained for the regular purchase.